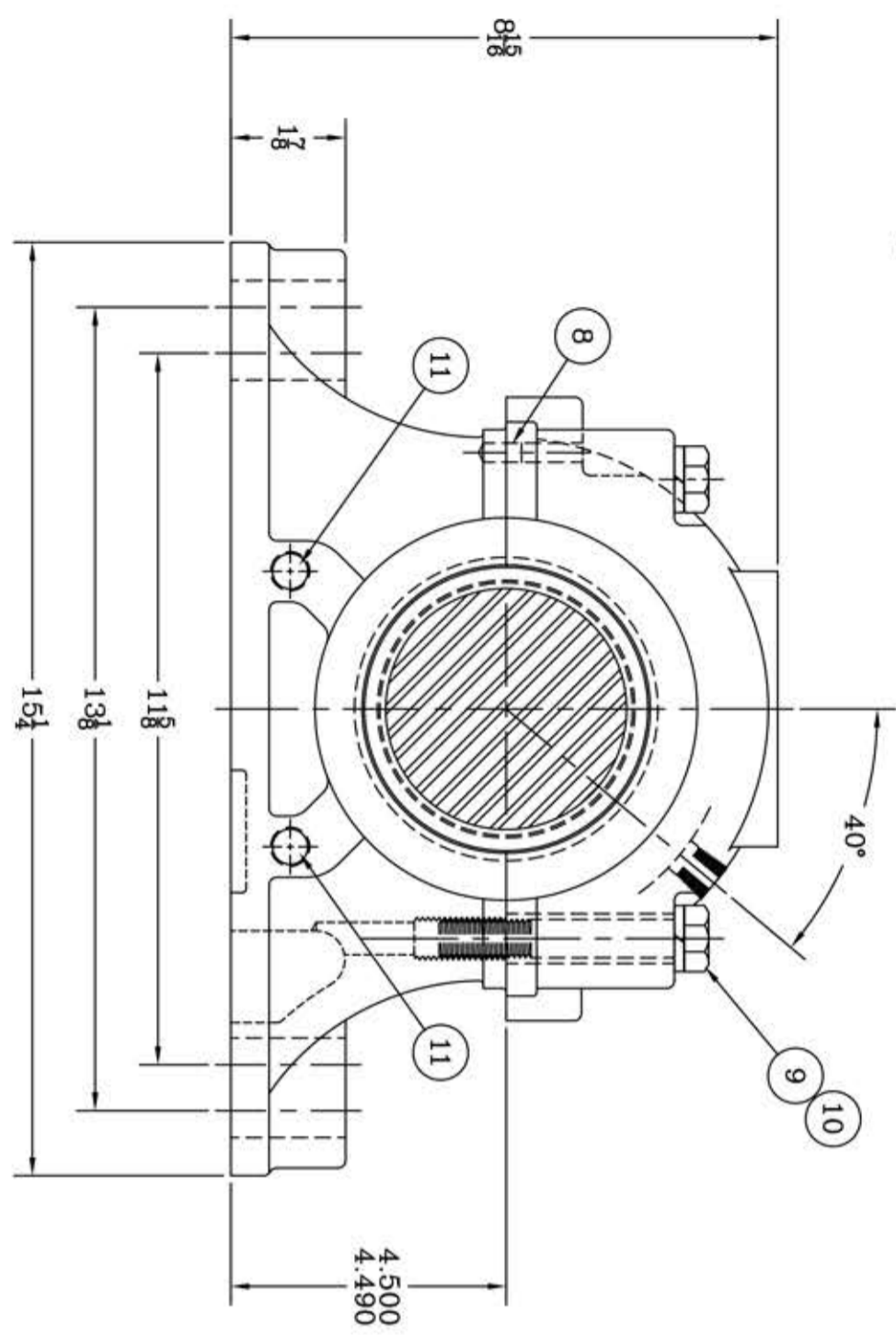
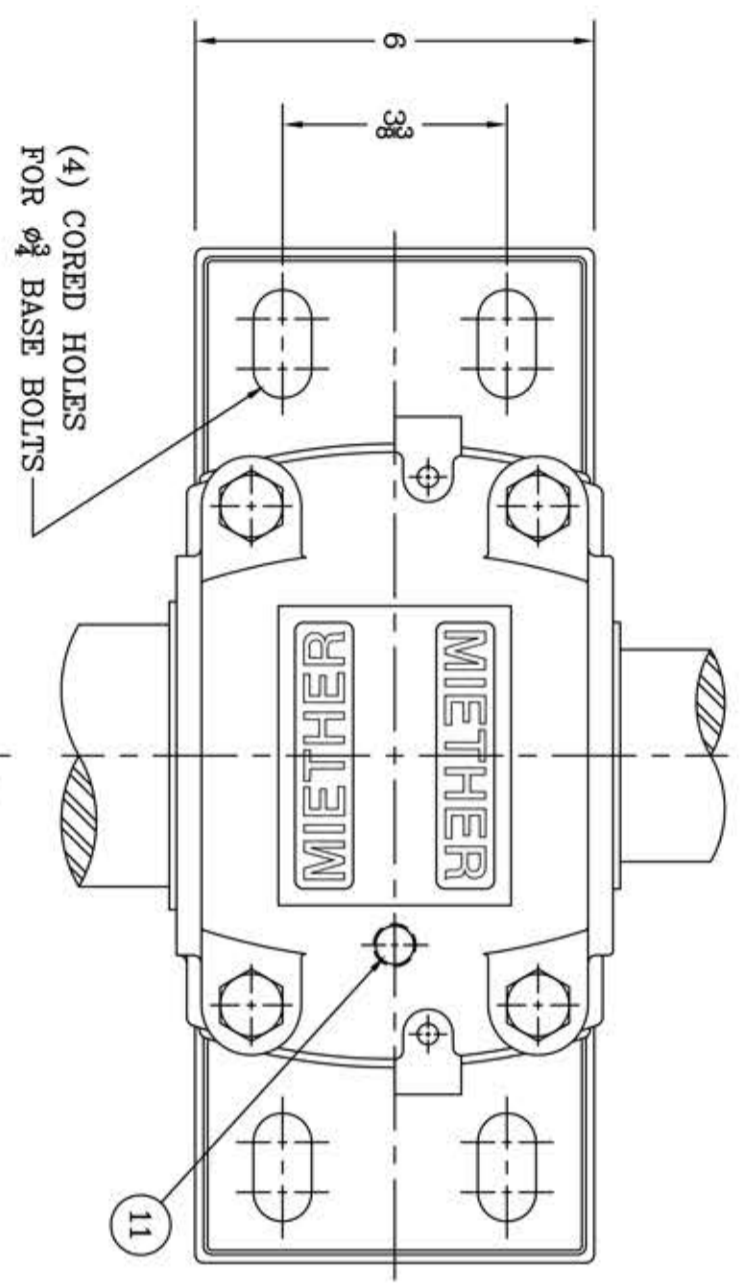
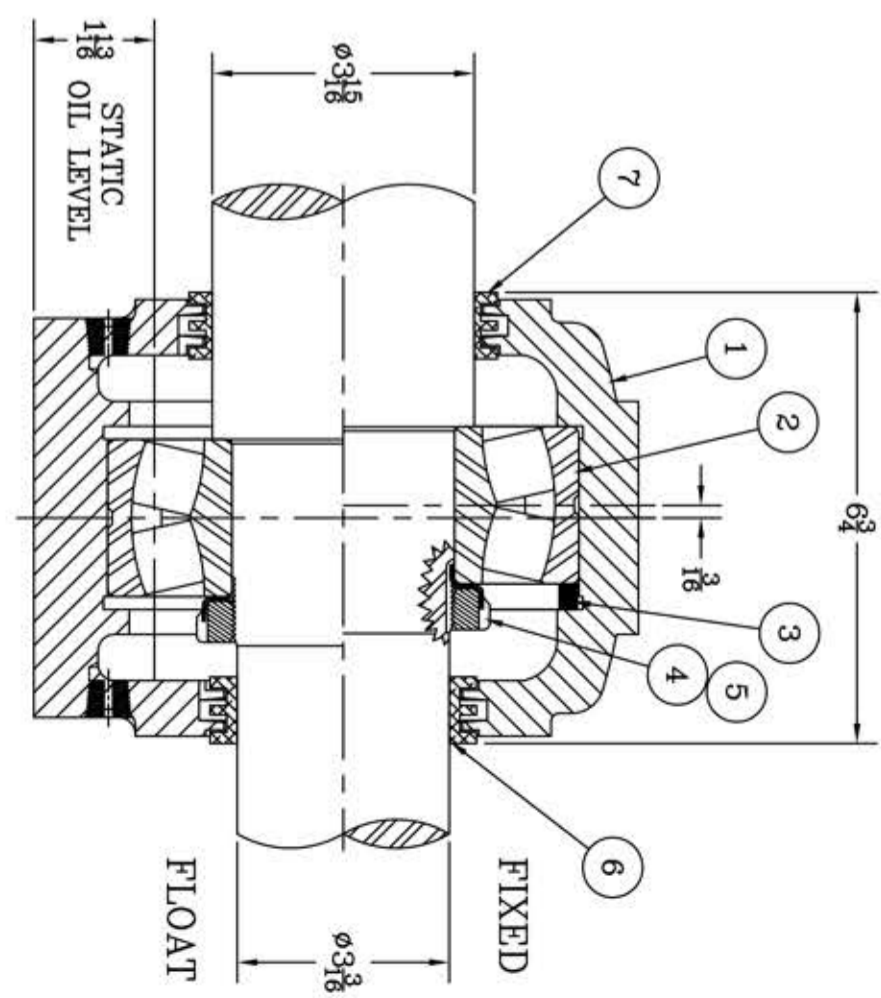


C-14584

This drawing is the sole property of Miether Bearing Products and contains confidential and proprietary information. It is being provided to you for your use and may not be disclosed to any third party or used for any other purpose without Miether's prior written consent. The [materials] must be returned to the Company upon its demand. Your acceptance of these materials constitutes your acceptance of the foregoing terms.



ITEM	DESCRIPTION	DETAIL	REQUIRED
1	HOUSING SDAF 317	C-12916	1 1
2	SPHERICAL ROLLER BEARING	22317/W-33	1 1
3	STABILIZING RING SR-20-17	A-10602	1 0
4	LOCKNUT AN-17	B-11939	1 1
5	LOCKWASHER W-17	00	1 1
6	TRIPLE SEAL RING LER-188	A-11797	1 1
7	TRIPLE SEAL RING LER-109	A-10495	1 1
8	DOWEL	$\phi 5/8$ x $3/8$ LONG	2 2
9	CAP BOLT HEX. HEAD	$3/8$ -11 NC x 4" LONG	4 4
10	LOCKWASHER	$3/8$ SPLIT MED.	4 4
11	PIPE PLUG	$3/8$ -18 - NPT	5 5



REDRAWN ON  
COMPUTER  
RWB per KAB  
8-2-04

REVISIONS

SYMBOL	DESCRIPTION
C	REVISIONS
D	
E	
F	
G	
J	
K	

TOLERANCE: UNLESS OTHERWISE SPECIFIED

FRACTIONS  $\pm 1/32$ " ANGLES  $\pm 30^\circ$

DECIMALS  $\pm .005$  WELD  $\pm 1/16$ "

CASTING  $\pm 1/16$ "

A.I.S.I. STANDARD FINISHES

MICRO-INCH VALUE

16 32 63 125 250 500 1000

AN ALCO INDUSTRIES COMPANY

ODESSA, TX USA

SDAF 22317 03-15 x 03-03

ASSEMBLY DRAWING

SCALE HALF

DRAWN CJ

DATE 3/7/72

CHK:

ASSEMBLY NO.

DRAWING NO.

C-14584